




# TARGHA VR vandal resistant


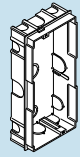
IP54

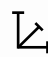
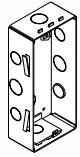


**Bpt's** vandal resistant entry panel blends a particularly attractive design with a highly resistant structure. And its compact size makes it suitable for use in any architectural setting. The front plate is built with special technical features (seals, fastening screws) that ensure outdoor resistance even without roof coverage. The material used - stainless steel and 4 mm-thick polycarbonate - enhance its tamperproof and impact-resistant properties.



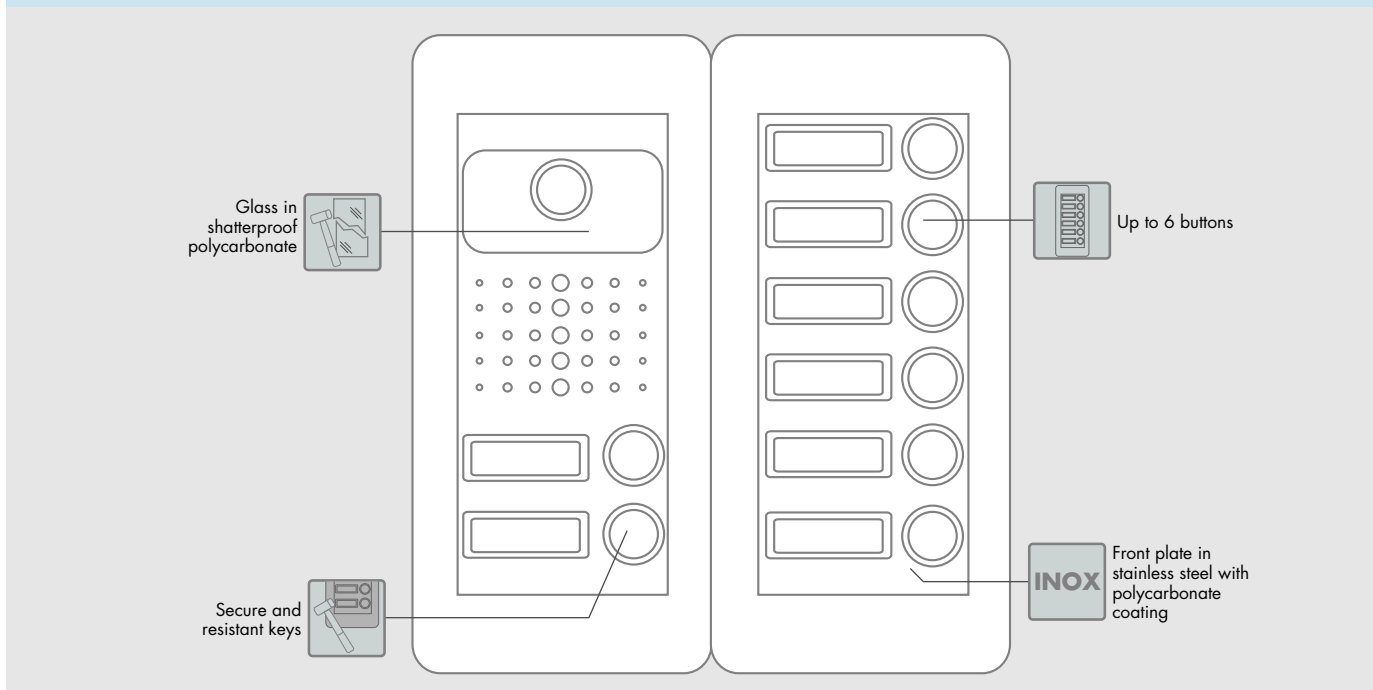
Page reference for product codes		
SYSTEMS	 2-wire	Page 83
	 on Bus	Page 139
	 Multi-wire	Page 176

 **EMBEDDING BOX DIMENSIONS:**  
HTS GH and HTS GR  
90x198x51.5 mm 

 **EMBEDDING BOX DIMENSIONS:**  
HTS VR  
90x198x51.5 mm 

 **FRONT PLATE DIMENSIONS**  
99x207x27 mm 

## FUNCTIONS



## TYPES OF PRODUCTS AVAILABLE

Video entry panel with 0 to 2 buttons



Audio entry panel with 1 to 4 buttons



2-buttons entry panel with information module



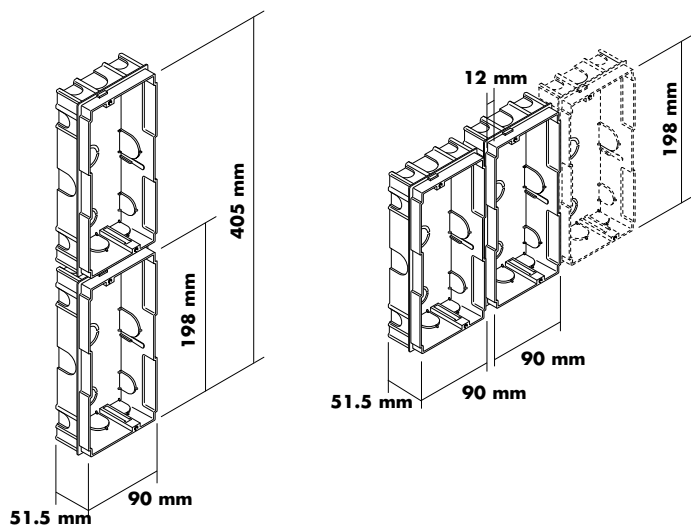
6-buttons entry panel



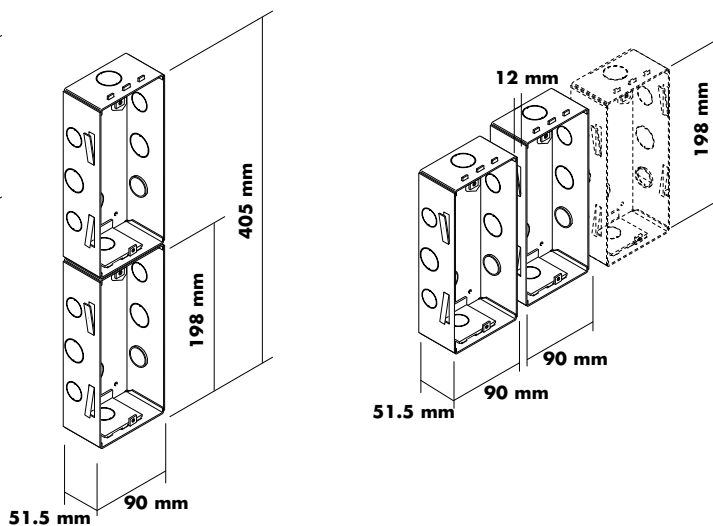
## EMBEDDING BOXES AVAILABLE

The Targha vandal resistant entry panel can be installed on the embedding box HTS GH and/or HTS GR. Alternatively, Targha VR can also be installed with the special reinforced embedding box. This steel box features an anti-removal device, specially designed to assure unbeatable resistance against aggression of any kind. The embedding box HTS VR must be purchased separately.

### VERTICAL-HORIZONTAL COMPOSITION WITH EMBEDDING BOX HTS GH AND HTS GR



### VERTICAL-HORIZONTAL COMPOSITION WITH EMBEDDING BOX HTS VR



Embedding boxes feature cable-routing spacers for correct positioning during installation.

# TARGHA VR vandal resistant digital



IP54

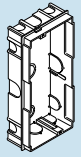
Unbeatable performance in the smallest package: thanks to the digital push button panel, even building complexes with a large number of users will no longer be a problem. The electronic coded call entry panels are the best solution, in terms of both practicality of use as well as guaranteed privacy. Targha is equipped with backlit keys and a generously sized display.



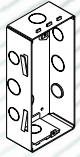
**SYSTEMS**

Page reference for product codes		
	2-wire	Page 85
	on Bus	Page 141
	Multi-wire	Page 178

**EMBEDDING BOX DIMENSIONS:**  
HTS GH and HTS GR  
90x198x51.5 mm



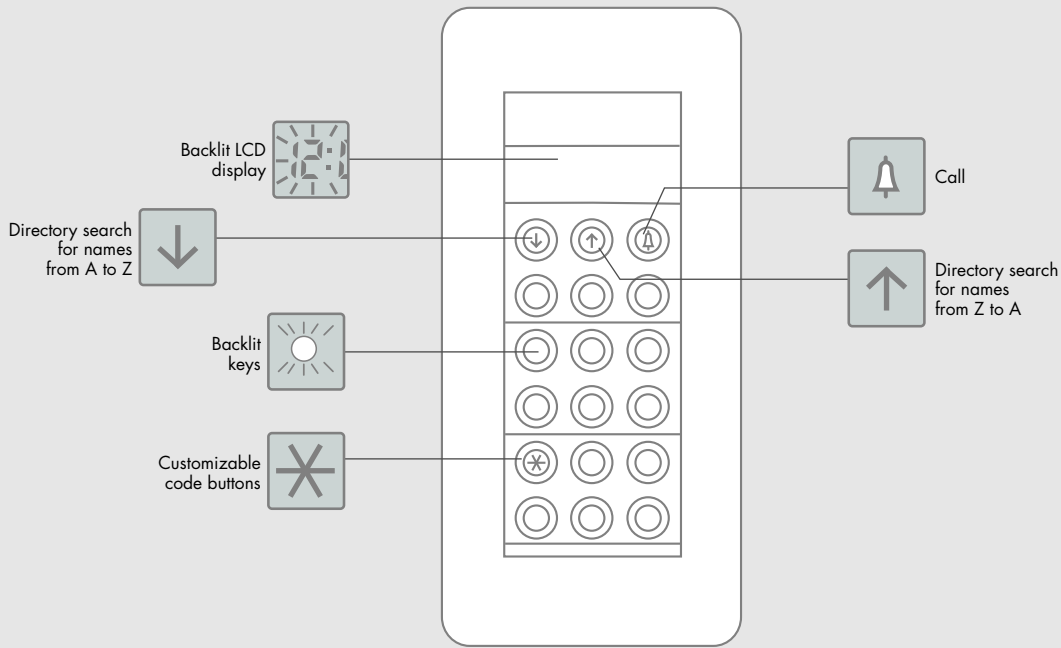
**EMBEDDING BOX DIMENSIONS:**  
HTS VR  
90x198x51.5 mm



**FRONT PLATE DIMENSIONS:**  
GH-ST 99x207x28 mm  
VR 99x207x27 mm



## FUNCTIONS



## TYPES OF PRODUCTS AVAILABLE

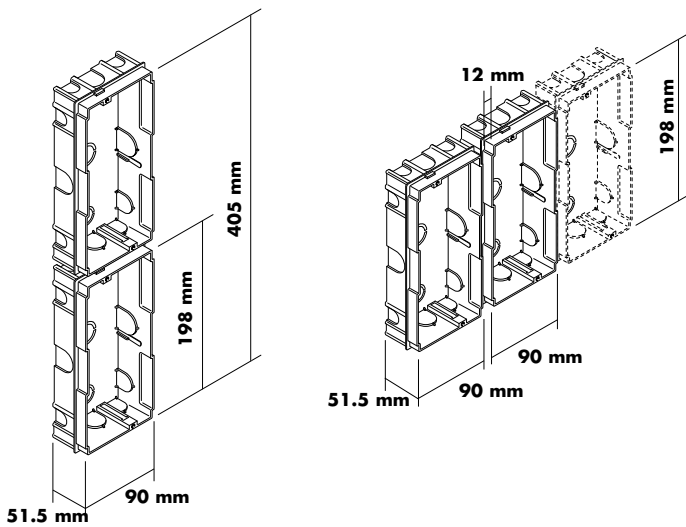
Alphanumeric digital front plate



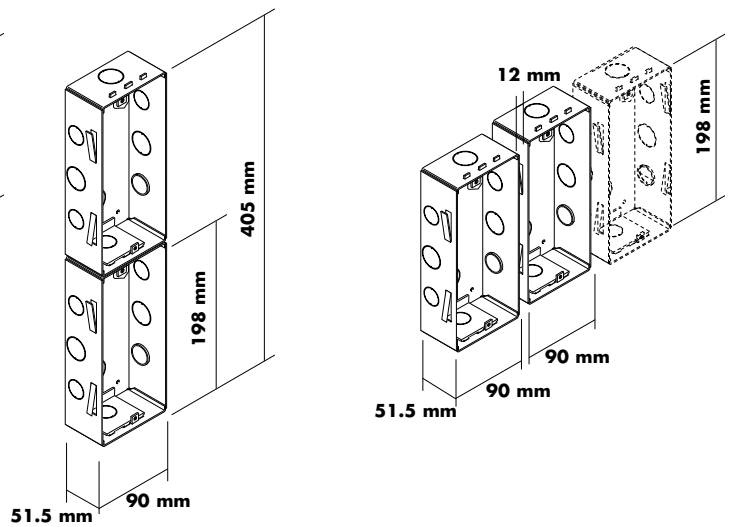
## EMBEDDING BOXES AVAILABLE

The Targha vandal resistant entry panel can be installed on the embedding box HTS GH and/or HTS GR. Alternatively, Targha VR can also be installed with the special reinforced embedding box. This steel box features an anti-removal device, specially designed to assure unbeatable resistance against aggression of any kind. The embedding box HTS VR must be purchased separately.

## VERTICAL-HORIZONTAL COMPOSITION WITH EMBEDDING BOX HTS GH AND HTS GR



## VERTICAL-HORIZONTAL COMPOSITION WITH EMBEDDING BOX HTS VR



Embedding boxes feature cable-routing spacers for correct positioning during installation.