

www.tribopt.co.za

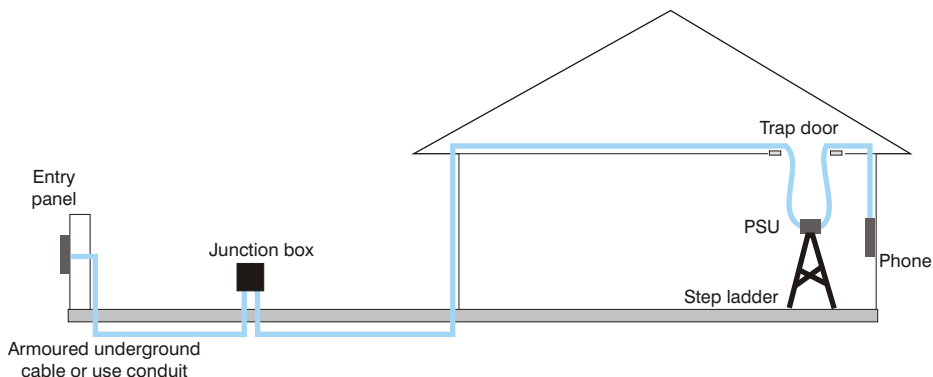
NEW WEB SITE

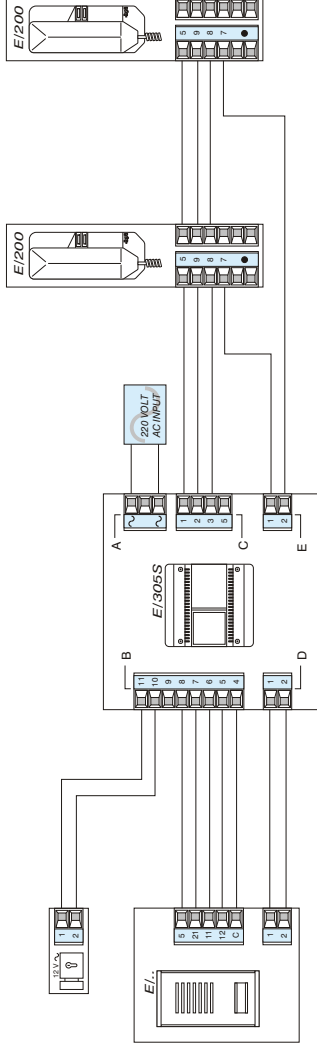


Technical Diagrams

INSTALLATION TIPS

- A) Use the correct diameter of cable for long distances
Eg. 0,22mm for 100m - 0,50mm for 150m.
- B) Use high quality and waterproof join boxes and scotch kits
Eg. 3M Splicing kits.
- C) Avoid joining cables underground, rather join the cables in a surface weatherproof box.
- D) Allow enough slack on either side of the cable.
Eg. Allow approx 250mm slack on either side of entry panel and telephone.
- E) Maintain a standard wiring colour code, and Try to leave a copy of your diagram Inside the power supply enclosure.
- F) When wiring in a ceiling, try to join your cables at a reasonable place where there is enough light, or otherwise let your cables hang out of the trap door where you can work in comfort and with enough light.
- G) Never remove the telephones from their packing until you ready to install them. Remember the telephone is the most visible instrument and the customer will notice if it is damaged or scratched.
- H) If there is a problem with a telephone at one point within the installation, swop it with the other telephone from another point within the installation. If the problem follows the telephone, then the telephone is faulty. But if the problem remains at that point, then the problem is with the cable.



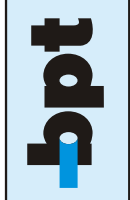


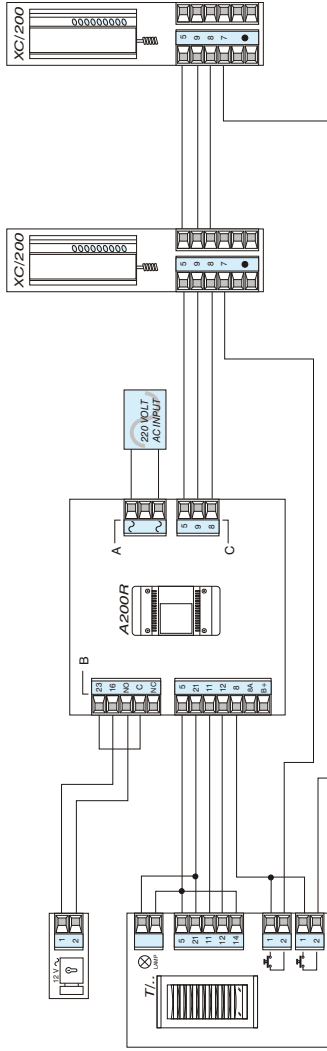
50	0.22
100	0.50
200	0.50
mm²	
meters	

50	0.22
100	0.22
200	0.50
mm²	
meters	



For any diagrams not shown
or special system designs
please contact our office on
(011) 616-3222 or
visit our web site
www.tribpt.co.za



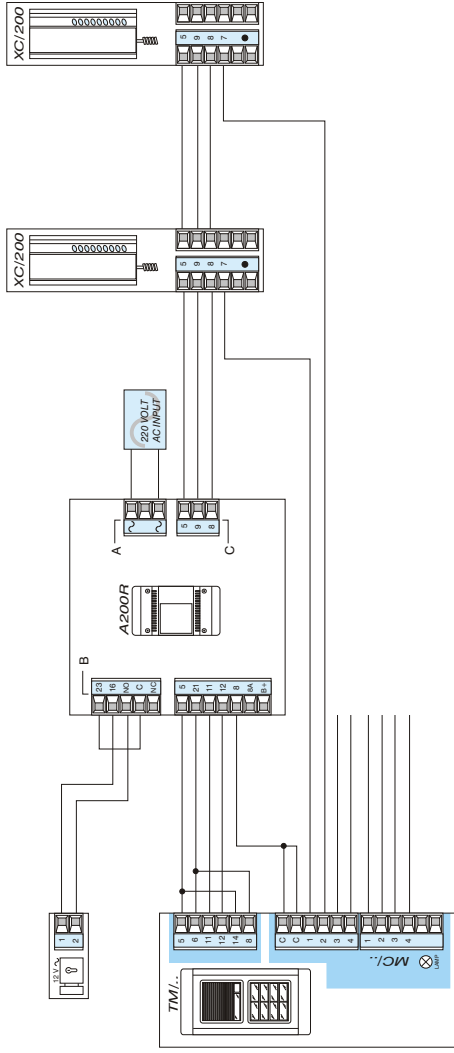


For any diagrams not shown
or special system designs
please contact our office on
(011) 616-3222 or
visit our web site
www.tribpt.co.za

mm ²	50	0.22
meters	100	0.50
	200	0.50

mm ²	50	0.22
meters	100	0.22
	200	0.50



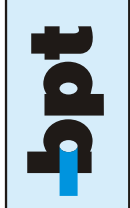


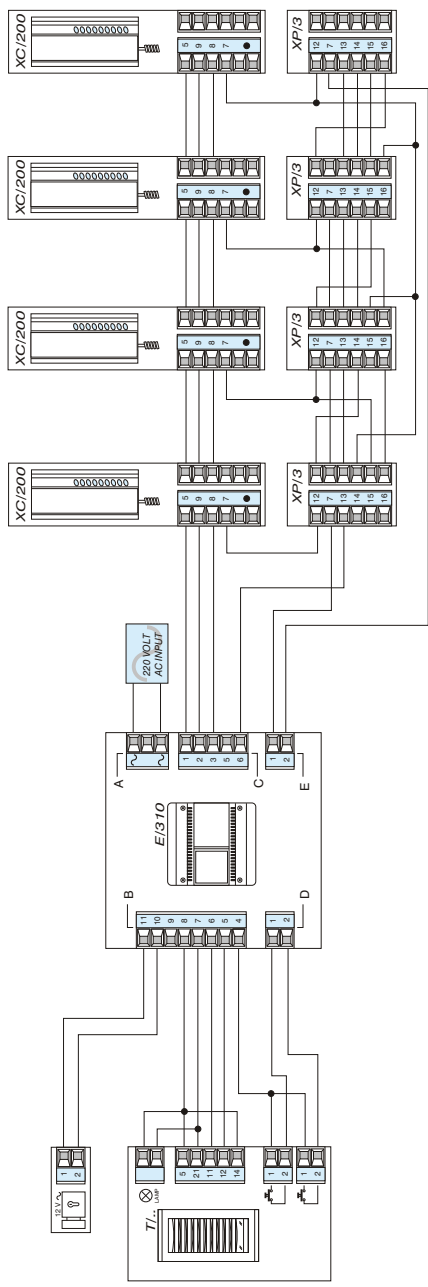
mm ²	50	0.22
meters	100	0.50
	200	0.50

mm ²	50	0.22
meters	100	0.22
	200	0.50



For any diagrams not shown
or special system designs
please contact our office on
(011) 616-3222 or
visit our web site
www.tribpt.co.za





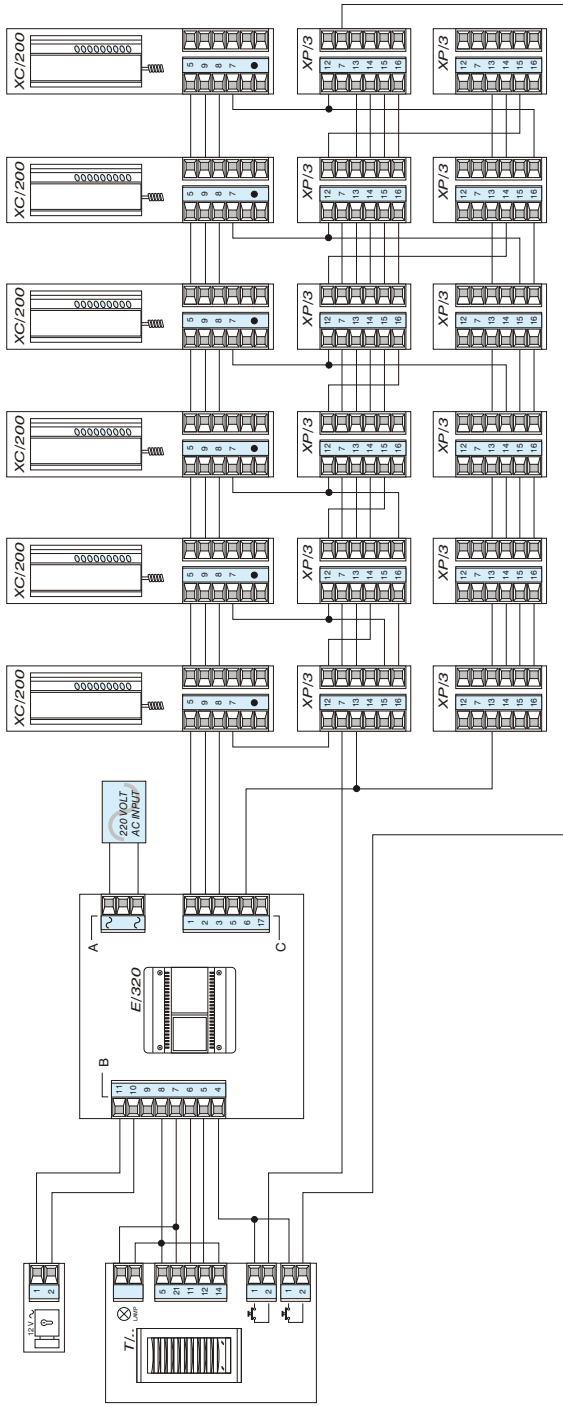
mm ²	50	100	200
meters	0.22	0.50	0.50

mm ²	50	100	200
meters	0.22	0.22	0.50



For any diagrams not shown
or special system designs
please contact our office on
(011) 616-3222 or
visit our web site
www.tribpt.co.za





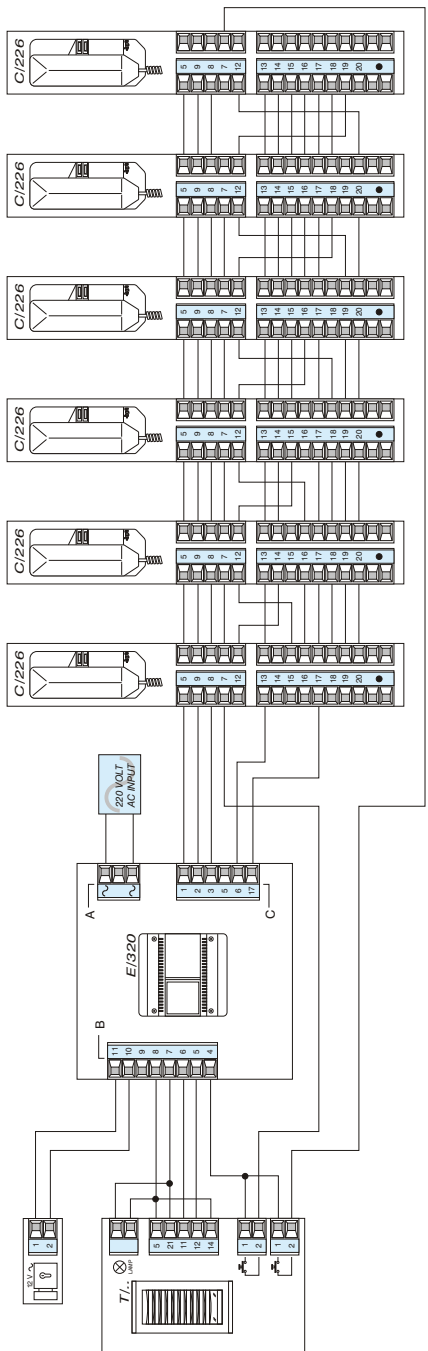
50	0.22
100	0.50
200	0.50
mm²	meters

50	0.22
100	0.22
200	0.50
mm²	meters



For any diagrams not shown
or special system designs
please contact our office on
(011) 616-8222 or
visit our web site
www.tribpt.co.za





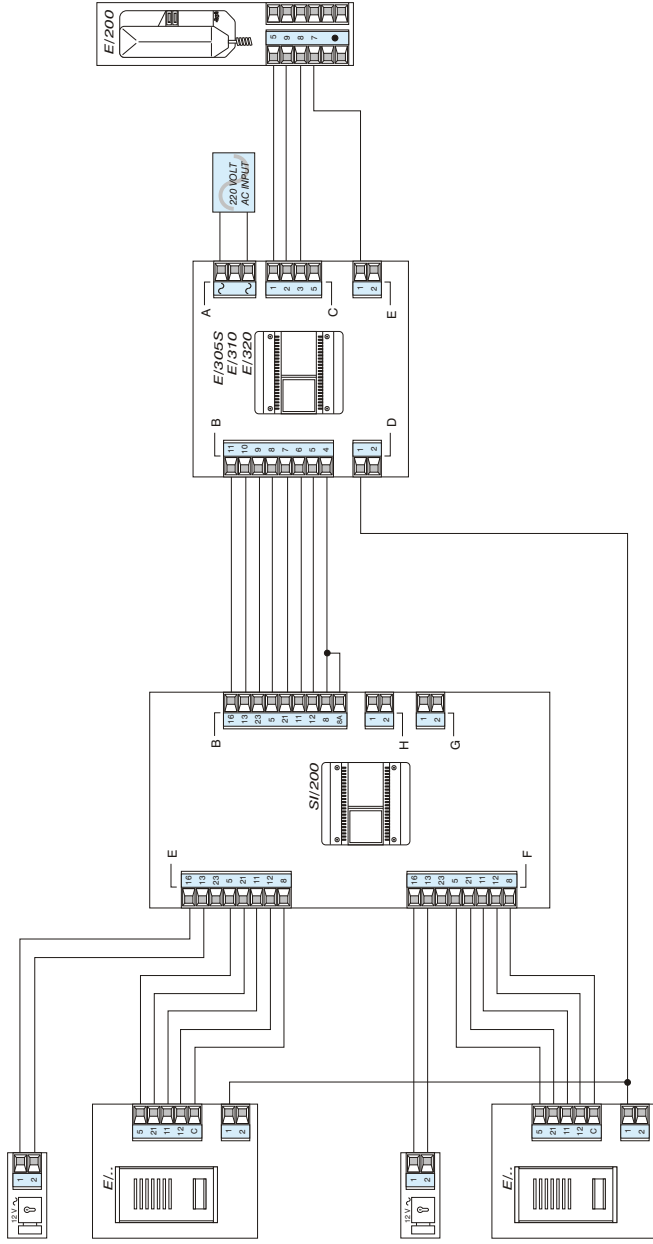
mm ²	0.22	0.50	0.50
meters	50	100	200

mm ²	0.22	0.22	0.50
meters	50	100	200

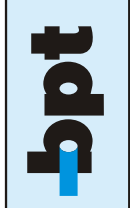


For any diagrams not shown
or special system designs
please contact our office on
(011) 616-3222 or
visit our web site
www.tribpt.co.za



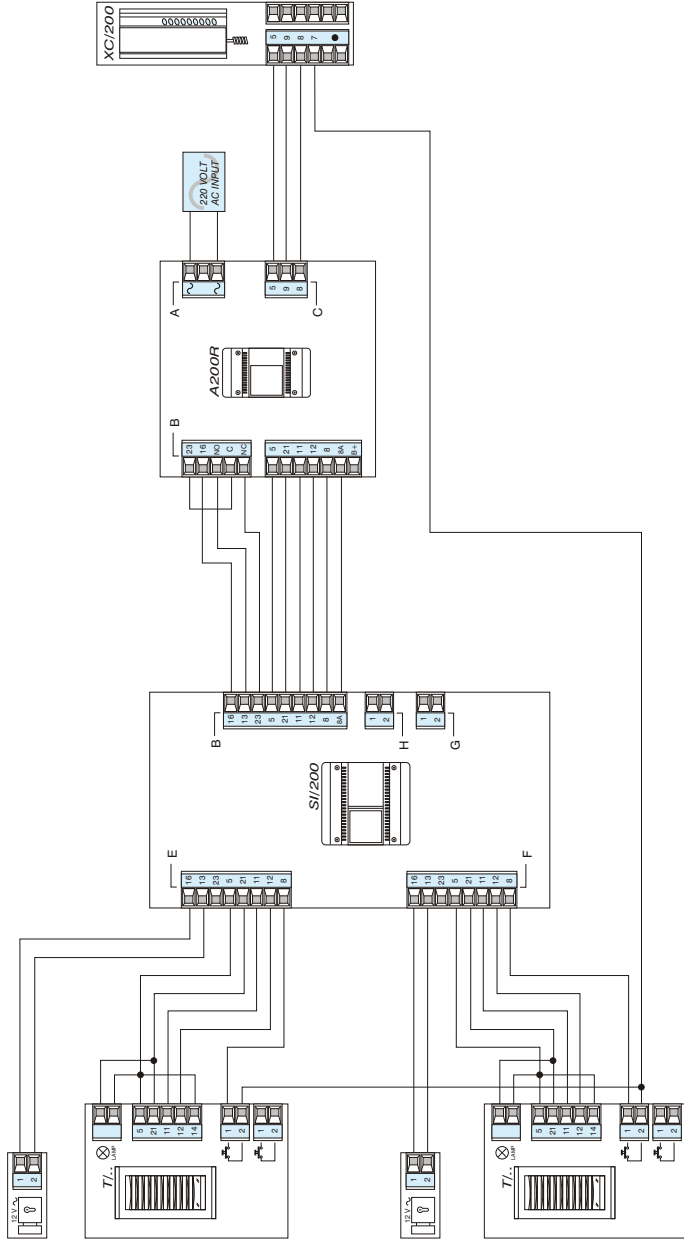


For any diagrams not shown
or special system designs
please contact our office on
(011) 616-3222 or
visit our web site
www.tribpt.co.za



mm ²	50	100	200
meters	0.22	0.50	0.50

mm ²	50	100	200
meters	0.22	0.22	0.50

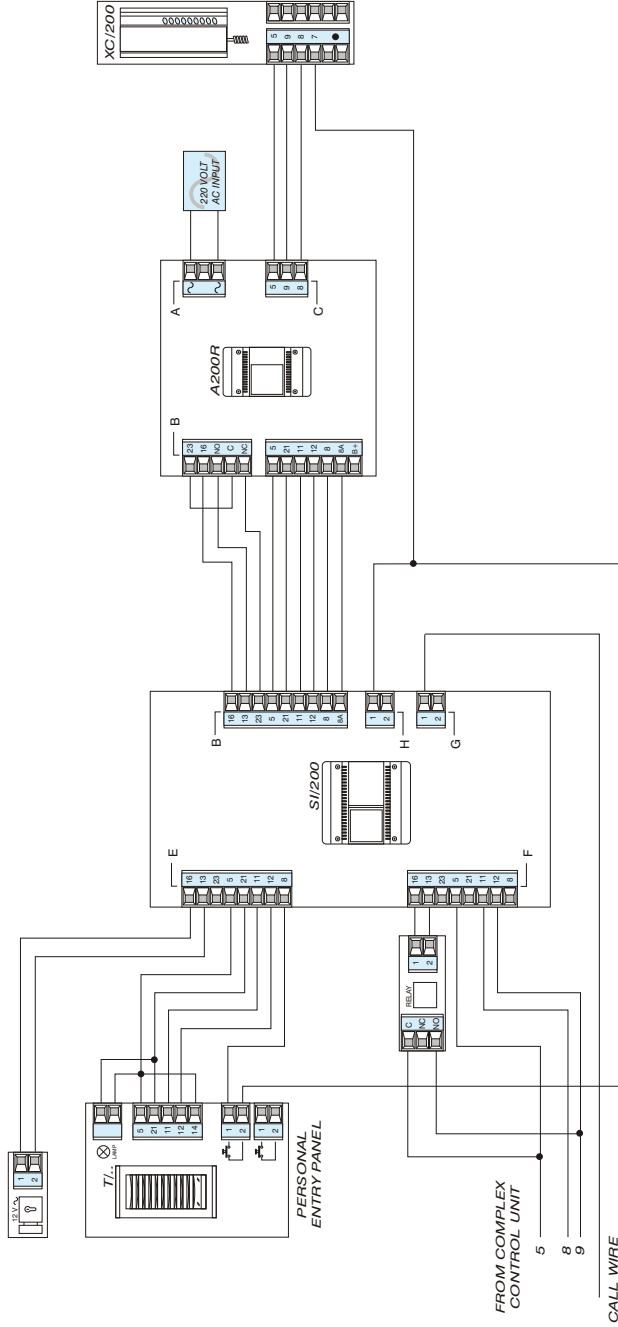


For any diagrams not shown
or special system designs
please contact our office on
(011) 616-3222 or
visit our web site
www.tribpt.co.za



50	0.22
100	0.50
200	0.50
meters	
mm ²	

50	0.22
100	0.22
200	0.50
meters	
mm ²	



mm ²	50	100	200
meters	0.22	0.50	0.50

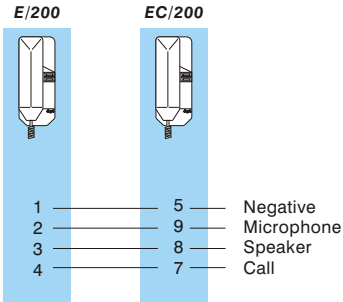
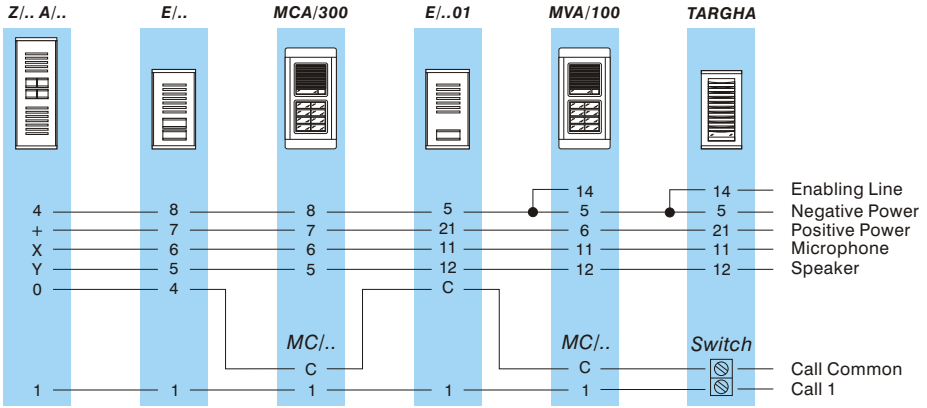
mm ²	50	100	200
meters	0.22	0.22	0.50



For any diagrams not shown or special system designs please contact our office on (011) 616-3222 or visit our web site www.tribpt.co.za

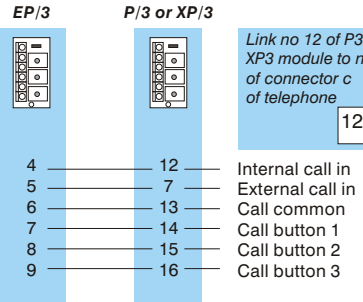


CONVERSIONS & TERMINAL DESCRIPTIONS



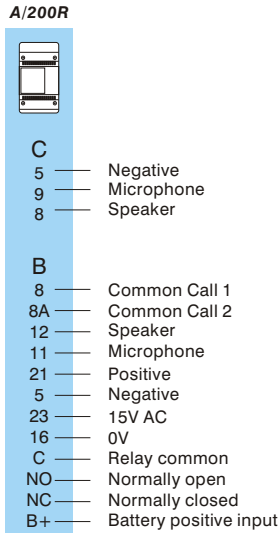
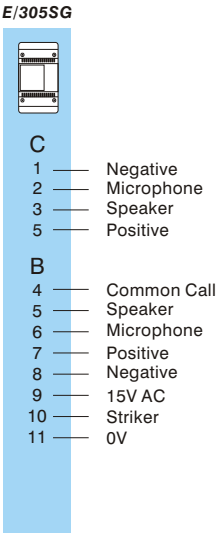
Link no 4 of Ep3 module to no 4 of connector c of telephone

4/4

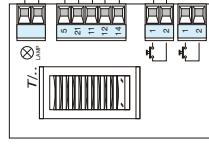
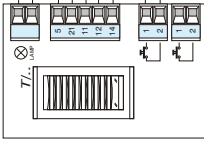
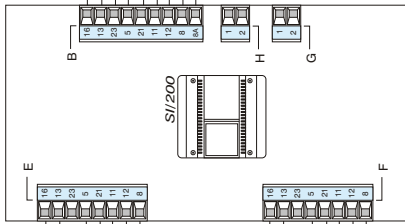
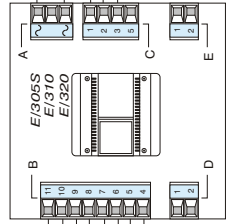
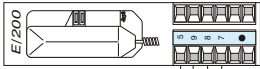
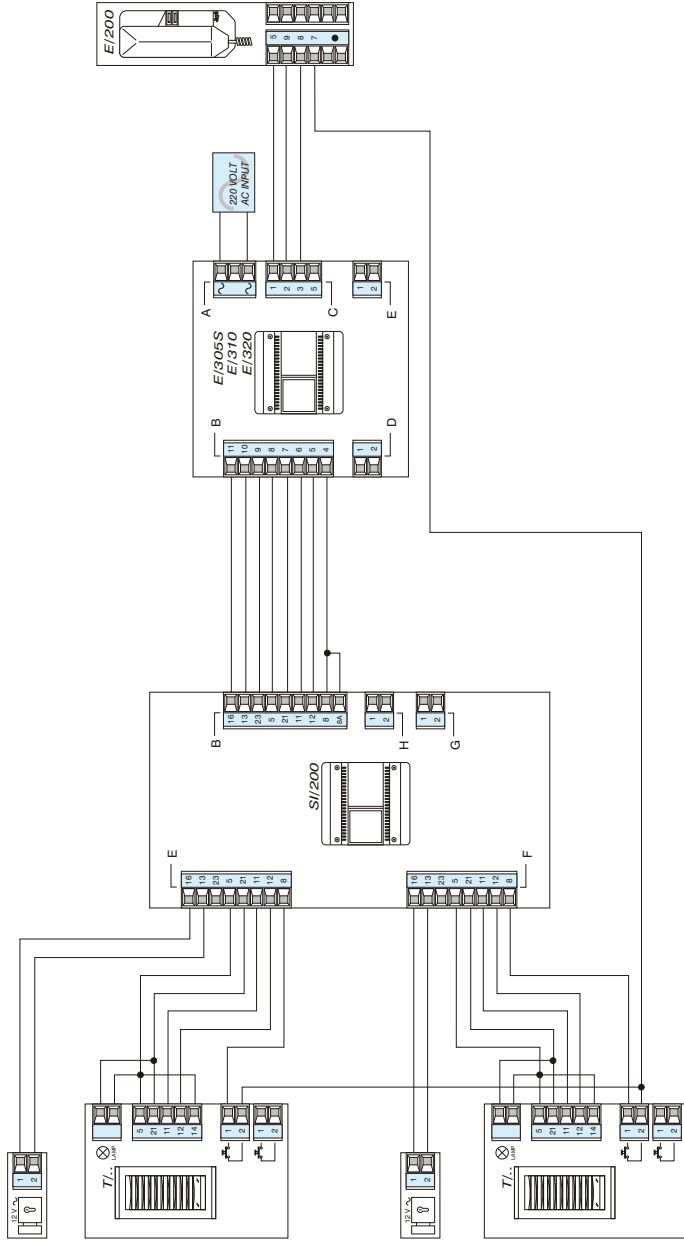


Link no 12 of P3 or XP3 module to no 7 of connector c of telephone

12/7



For any diagrams not shown
or special system designs
please contact our office on
(011) 616-3222 or
visit our web site
www.tribpt.co.za



50	0.22
100	0.50
200	0.50
meters	mm ²

50	0.22
100	0.22
200	0.50
meters	mm ²



For any diagrams not shown
or special system designs
please contact our office on
(011) 616-3222 or
visit our web site
www.tribpt.co.za

