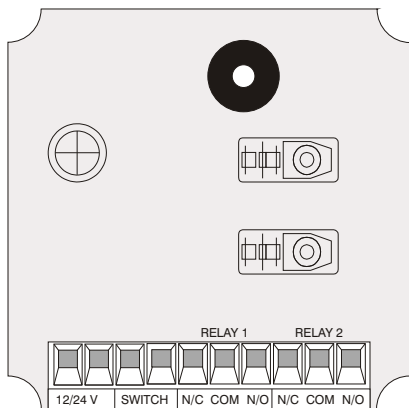
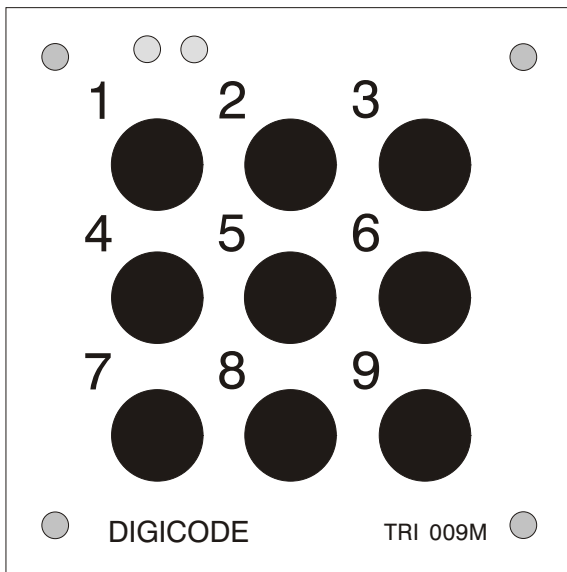
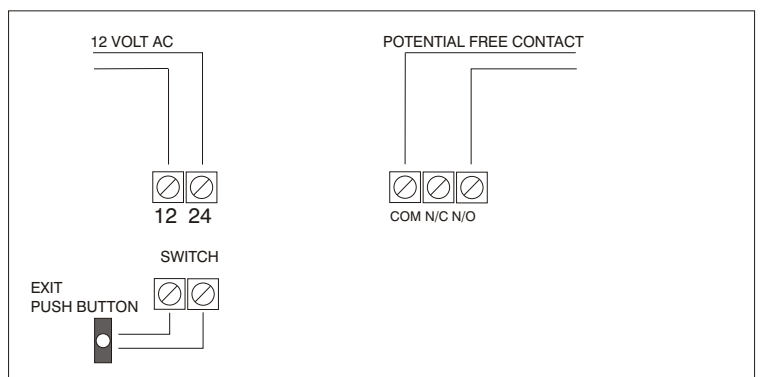
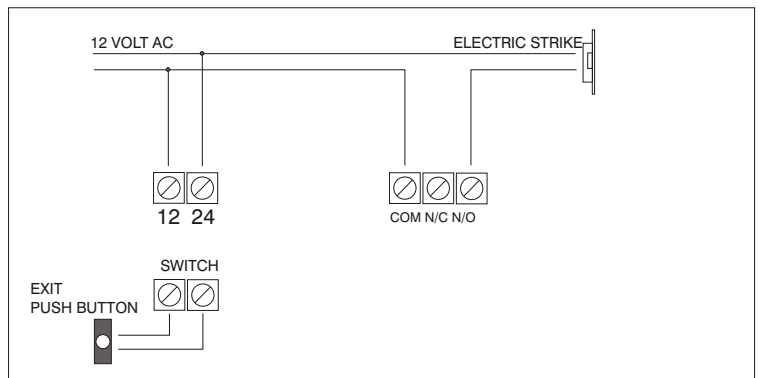


DIGICODE



**TO ENTER INTO PROGRAMMING MODE
HOLD KEYS SEVEN AND NINE DOWN
FOR APPROXIMATELY 10 SECONDS
UNTIL AUDIO TONE IS HEARD**

MODEL	009M
SUPPLY VOLTAGE	12/24 V AC/DC
RELAY CONTACT	24 VOLT 1 AMP
DEFAULT NUMBER 1	123456
DEFAULT NUMBER 2	992992



PROGRAMMING CODE 1 (RELAY 1)	RESPONSE
TO PROGRAM 1 st NEW CODE : ENTER 123458 (DEFAULT 123456)	TWO TONE CHIME AND BOTH L.E.D OFF
ENTER NEW CODE (6 DIGITS)	
PROGRAM END	TWO TONE CHIME AND L.E.D ON
PROGRAMMING CODE 2 (RELAY 2)	RESPONSE
TO PROGRAM 2 nd NEW CODE : ENTER 992994 (DEFAULT 992992)	TWO TONE CHIME AND BOTH L.E.D OFF
ENTER NEW CODE (6 DIGITS)	
PROGRAM END	TWO TONE CHIME AND L.E.D ON

TO CHANGE CODE ENTER FIRST 5 DIGITS, YOUR 6 th DIGIT SHOULD BE 2 DIGITS HIGHER THAN YOUR PREVIOUS 6 TH DIGIT IE. PREVIOUS CODE 175335 PROGRAM CODE 175337 TO CHANGE FACTORY DEFAULTS CONTACT SUPPLIER.

DIGICODE

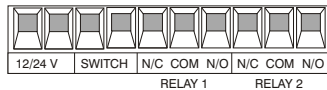
CHANGING KEYPAD DEFAULT SETTINGS

COMMAND	RESPONSE
TO CHANGE DEFAULT SETTINGS ENTER 123454 DEFAULT 123456	TWO TONE CHIME AND BOTH L.E.D ON
ENTER 1 FOR NON LATCHING ENTER 2 FOR LATCHING	TWO TONE CHIME AND RED L.E.D ON
IF NON LATCHING HOLD IN BUTTON NO 1 FOR RELAY DURATION	BOTH L.E.D OFF - AND TWO TONE CHIME
ENTER 1 FOR BUZZER ON OR ENTER 2 FOR BUZZER OFF	TWO TONE CHIME AND GREEN L.E.D ON
ENTER 1 FOR SWITCH ENABLE ENTER 2 FOR KEYPAD LOCKOUT	TWO TONE CHIME AND RED L.E.D ON
ENTER 1 FOR BACK LIGHT (PERM) ENTER 2 FOR BACK LIGHT (TIMED)	TWO TONE CHIME AND BOTH L.E.D ON
ENTER 4, 5, 6 FOR NUMBER OF DIGITS	TWO TONE CHIME AND RED L.E.D ON
PROGRAM END	TWO TONE CHIME AND BOTH L.E.D OFF

THE RELAY SETTINGS APPLY TO RELAY NUMBER ONE AND FOR RELAY NUMBER TWO.

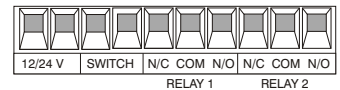
SWITCH ENABLE

FOR EXIT SWITCH SHORT
TERMINALS SWITCH
TERMINALS TO ENABLE
KEYPAD TIMER



KEYPAD LOCKOUT

TO DISABLE KEYPAD
CONNECT N/C KEY SWITCH
TO SWITCH TERMINALS
OR TIME SWITCH



RESET KEYPAD TO FACTORY DEFAULT

TO RESET KEYPAD
ENTER 9597533217

RESPONSE

KEYPAD BEEPS CONTINUOUSLY

RED GREEN

BOTH LED OFF ○ ○ ENTER 92
 RED ON GREEN OFF ● ○ ENTER 44
 RED OFF GREEN ON ○ ● ENTER 75
 BOTH LED ON ● ● ENTER 27

TWO TONE CHIME AND LED ON

TRI-BPT Automation (Pty) Ltd
 Internet www.tribpt.co.za
 Email info@tribpt.co.za